

LPG 기화기



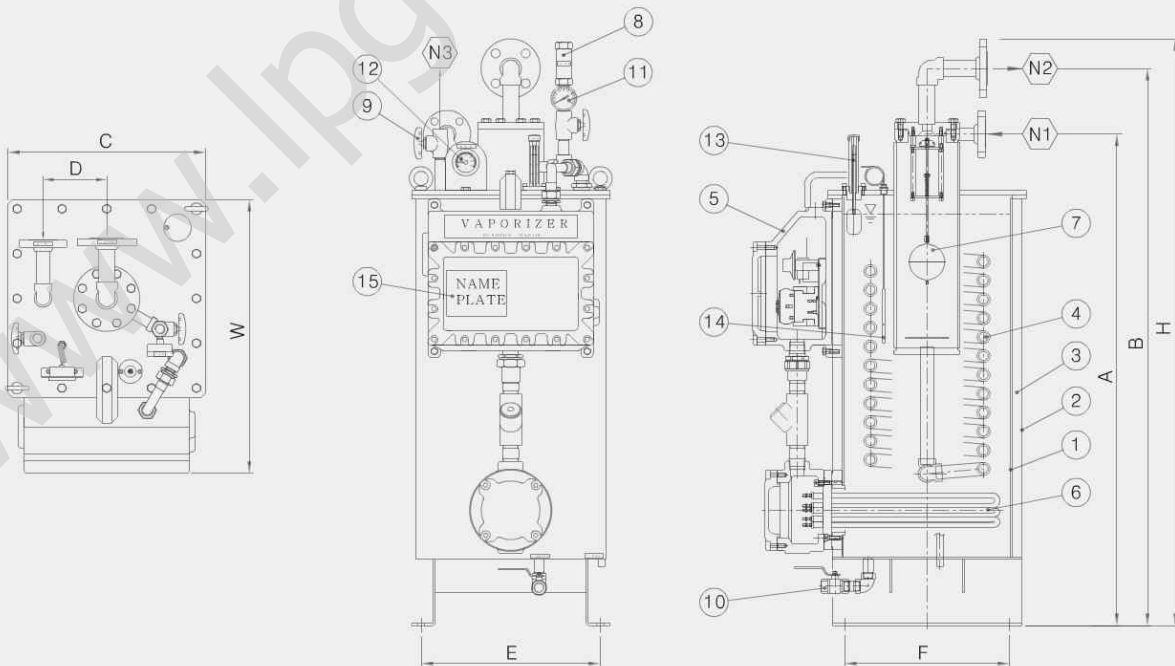
LPG VAPORIZER

MODEL : HJ-PV (New type)

TYPE : WATER BATH, ELECTRIC HEAT
INDIRECT(전열 간접가열)

Specification | 사양

Design Pressure(설계압력)	1.8Mpa
Hydraulic Test Pressure(내압시험압력)	2.7Mpa
Air Tight Test(기밀시험압력)	1.76Mpa
Design Temperature(설계온도)	100℃
Operating Temperature(사용온도)	60~70℃
Safety valve setting pressure(안전밸브설정압력)	1.76Mpa



Dimension | 표준성능 및 규격

* 아래사양은 제품개선을 위해 예고없이 변경될 수 있습니다.

MODEL	CAPACITY (kg/h)	ELECTRIC HEATER (KW)	DIMENSION(mm)						NOZZLE SCHEDULE			ELECTRIC		EMPTY WEIGHT (kg)	WATER CAPA- CITY (ℓ)	ANTI FREEZE -20°C (ℓ)
			A	B	C	D	H	W	INLET N1	OUTLET N2	DRIAN N3	MAGNET CONTACTOR (380V)	T/R (380-220)			
PV-50A	50	7 X 1 = 7KW	920	1115	420	135	1165	580	20A	20A	15A	32A	60VA	95	75	22
PV-100A	100	14 X 1 = 14KW	1040	1215	420	135	1265	580	20A	25A	15A	40A	60VA	110	85	25
PV-150A	150	20 X 1 = 20KW	1130	1305	500	160	1355	660	20A	25A	15A	40A	60VA	150	140	40
PV-200A	200	14 X 2 = 28KW	1040	1215	540	160	1265	700	20A	25A	15A	50A	60VA	170	160	47
PV-300A	300	20 X 2 = 40KW	1190	1365	540	160	1415	700	25A	40A	15A	65A	60VA	200	190	55
PV-400A	400	27 X 2 = 54KW	1120	1270	780	360	1350	980	25A	50A	15A	100A	100VA	330	390	110
PV-500A	500	22.5 X 3 = 67.5	1220	1370	780	360	1450	980	25A	50A	15A	130A	100VA	370	440	130
PV-600A	600	27 X 3 = 81KW	1320	1470	780	360	1550	980	25A	50A	15A	130A	100VA	420	490	145
PV-800A	800	27 X 4 = 108KW	1395	1530	880	420	1790	1080	40A	50A	15A	170A	100VA	640	680	200
PV-1000A	1000	33 X 4 = 132KW	1495	1670	880	420	1930	1080	40A	80A	15A	250A	100VA	720	740	220

* 1,000kg/Hr 이상은 별도 문의 요망

Feature | 특기사항

1. Bath Water- Heat Media - is heated by Electric Heater and the water transfers heat in heat exchange coil indirectly.
2. Electric Power source can be used either 220 volt single phase or 220V, 380V, 440V and 480V 3 phases
3. Water Temperature Range is 65°C up to 90°C.
4. All the Electric systems are fitted with pressurized Flameproof.

1. 열매체인 물을 전기히터로 열을 가하고 그 물은 간접적으로 열 교환 코일에 열을 전달한다.
2. 전원은 220V 단상 또는 220V, 380V, 440V, 480V 3상중 선택가능.
3. 온수가열온도는 65°C ~ 90°C.
4. 모든 전기장치는 내압방폭 인증제품으로 장착되어 있다.

Material | 재질

NO	PART NAME	MATERIAL	NO	PART NAME	MATERIAL
1	Water Bath	Steel	10	Water Drain Valve	BRASS
2	Insulation Cover	Steel	11	Pressure Gauge	Cr Coating
3	Insulation	N.B.R	12	Temperature Gauge	Cr Coating
4	Heat Exchange Coil	SUS304	13	Water Level Gauge	ACRYL
5	Electric Control Box	AL	14	Temperature Sensor	SUS316
6	Electric Heater	SUS304	15	Name Plate	SUS304
7	Liquid Over Flow Protection	SUS304	N-1	Liquid Inlet Nozzle	
8	Safety Valve	BRASS	N-2	Vapor Outlet Nozzle	
9	Gas Drain Valve	BRASS	N-3	Gas Drain	